



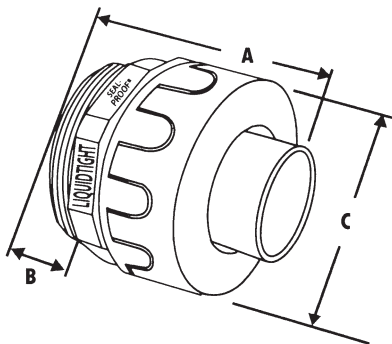
Easy to install for a secure connection

Flexible, Nonmetallic, Electrical Tubing Connectors

- Available 3/8" through 2"
- All nylon construction resists salt water, weak acids, gasoline, alcohol, grease & other common solvents.
- Standard Color: Black or Gray
- Complete conduit/connector system is reusable. Conduit will not wind tight onto the connector during assembly & can be easily removed by pulling while turning in a clockwise direction.
- Suitable for indoor/outdoor use; for original equipment manufacturers of field installers.
- Molded of type nylon 6. Flammability classification 94V-2; temperature index 125°C
- "O" ring & steel locknut included. applications

Specifications:

Listed under the Underwriters Laboratories File No. E197675



Order Size	K.O. Size	Part Dimensions (inches)		
		A	B	C
1/4"	PG7	1.750	0.440	1.062
3/8"	1/2"	2.000	0.540	1.400
1/2"	1/2"	2.000	0.540	1.400
3/4"	3/4"	2.200	0.635	1.700
1"	1"	2.280	0.740	2.000
1-1/4"	1-1/4"	2.440	0.760	2.400
1-1/2"	1-1/2"	2.700	0.800	2.670
2"	2"	2.990	0.850	3.280