

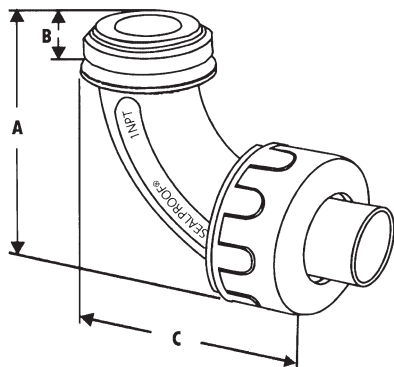
Smooth internal surfaces for easier wire installation

Flexible, Nonmetallic, Electrical Tubing Connectors

- Available 3/8" through 2"
- All nylon construction resists salt water, weak acids, gasoline, alcohol, grease & other common solvents.
- Standard Color: Black or Gray
- Complete conduit/connector system is reusable. Conduit will not wind tight onto the connector during assembly & can be easily removed by pulling while turning in a clockwise direction.
- Suitable for indoor/outdoor use; for original equipment manufacturers of field installers.
- Molded of type nylon 6. Flammability classification 94V-2; temperature index 125°C
- "O" ring & steel locknut included.

Specifications:

Listed under the Underwriters' Laboratories File No. E197675



Order Size	K.O. Size	Part Dimensions (inches)		
		A	B	C
3/8"	1/2"	2.120	0.500	3.120
1/2"	1/2"	2.120	0.500	3.120
3/4"	3/4"	2.500	0.520	3.600
1"	1"	3.125	0.700	4.125
1-1/4"	1-1/4"	4.450	0.760	5.200
1-1/2"	1-1/2"	4.750	0.800	5.200
2"	2"	5.420	0.860	5.800